

Uniclass L7522	EPIC L22
CI/SfB (56.84)	X

**Lot 20
compliant**



SPACE SAVING VERTICAL & HORIZONTAL POWDER COATED RADIANT PANEL

**Compatible with Nest, Hive, Honeywell, KNX,
Raspberry Pi, Delta Dore and Prefect Controls**





ECO 2000D/RP/PC/RZ/70

COLOUR OPTIONS

	RAL 1014 IVORY
	RAL 1015 LIGHT IVORY
	RAL 5008 GREY BLUE
	RAL 3003 RUBY RED
	RAL 3022 SALMON PINK
	RAL 4009 PASTEL VIOLET
	RAL 5002 ULTRAMARINE BLUE
	RAL 5015 SKY BLUE
	RAL 5024 PASTEL BLUE
	RAL 6019 PASTEL GREEN
	RAL 6034 PASTEL TURQUOISE
	RAL 7016 ANTHRACITE GREY
	RAL 7024 GRAPHITE GREY
	RAL 7032 PEBBLE GREY
	RAL 7047 TELE GREY
	RAL 8004 COPPER BROWN
	RAL 8017 CHOCOLATE BROWN
	RAL 9001 CREAM

To help preserve the environment, and as part of its sustainability policy, Ecolec offer a **Do Not Scrap** return-to-base full refit and refurbishment service.

A simple 3 point plan!

- **Measure Room Sizes**
- **Calculate Heat Loss**
- **Select Radiator**



ECO 1000DL/IP44/PC/RX/43/H

BETTER CONTROL SAVES ENERGY, SAVES MONEY

Department of Energy & Climate change suggest (2013) that a domestic energy bill is made up of 17% to hot water and 66% to domestic heating. Managing and controlling your heating *"Where you want it, when you want it"* is the key to saving money.

Why **ecolec**[®] use **Solid State Switching** technology

Long Life - Solid state switches have no moving parts. Therefore there is no mechanical wear and tear of the output contacts. Ideal for repetitive applications.

Quiet Operation - Solid state switching solutions make no acoustical noise when the output contacts change states. This is highly desirable in most domestic, commercial and medical applications.

Minimum Electrical Noise - Zero voltage turn-on and zero current turn-off allows for minimum electrical disturbances.

Fast Switching - Burst control can be easily achieved to provide accurate AC power control.



We use Triacs
(a semi-conductor device)

All local space heaters manufactured for sale in the EU after 1st January 2018 which use electricity, gaseous or liquid fuels, must comply with a minimum efficiency standard. This includes electric radiators, electric underfloor heating and electric and gas fires.



PROUDLY MANUFACTURED IN THE UK Your country needs YOU to save energy

Schematic diagram of controls using ECO5203/ECO5003

Max loading 230v 16A relay contacts
3600 watts resistive load only

For example see below

3 x ECO1000D/RP/RC/RZ/70, or,

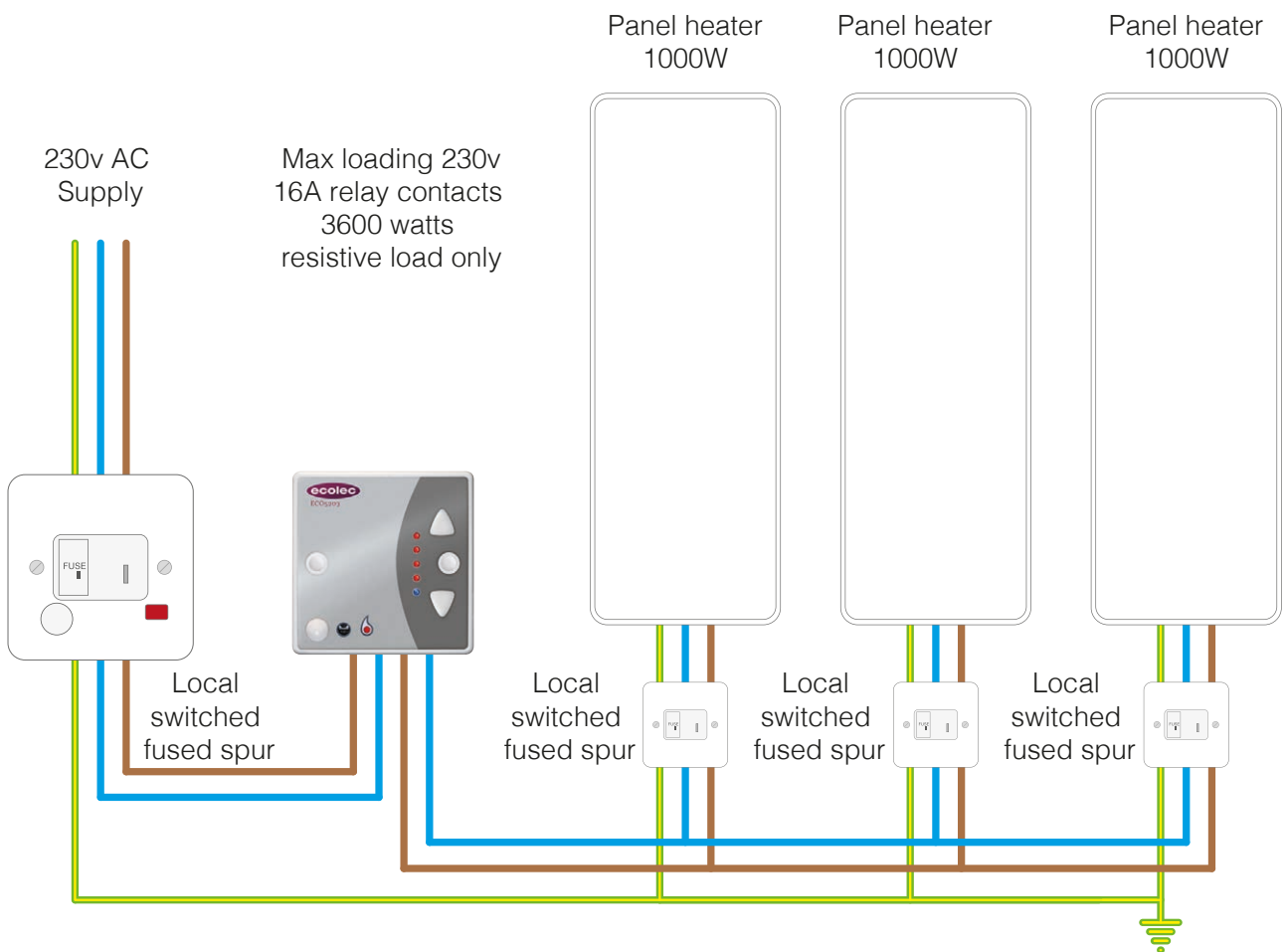
1 x ECO2000D/RP/RC/RZ/70

2 x ECO1500D/RP/RC/RZ/70

3 x ECO1000D/RP/RC/RZ/70

4 x ECO750D/RP/RC/RZ/70

6 x ECO500D/RP/RC/RZ/70



innovative
energy management
heating solutions

RADIATOR KEY FEATURES:

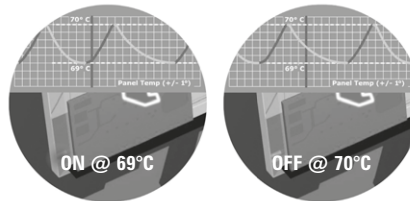
Simply wire the heater to a fused spur and a 16amp Relay / Cable Length 2m / Cable exit on the rear / Fitting Kit Supplied / On/Off Switch located on the side

SPECIFICATION:

LINE REF	CODE	DIMENSIONS (H X W X D) MM	ELEMENT (WATTS)	OUTPUT (WATTS)	OUTPUT (BTU'S)
Powder Coated White					
20.1	ECO 2000D/RP/PC/RZ/70	2000 x 500 x 40	2000	1600	5459
20.2	ECO 1500D/RP/PC/RZ/70	1500 x 500 x 40	1500	1200	4094
20.3	ECO 1000D/RP/PC/RZ/70	1000 x 500 x 40	1000	800	2729
20.4	ECO 750D/RP/PC/RZ/70	750 x 500 x 40	750	600	2047
20.5	ECO 500D/RP/PC/RZ/70	500 x 500 x 40	500	400	1365
20.6	ECO 1000D/SB/RP/PC/RZ/70	2000 x 250 x 40	1000	800	2729
20.7	ECO 750D/SB/RP/PC/RZ/70	1500 x 250 x 40	750	600	2047
20.8	ECO 500D/SB/RP/PC/RZ/70	1000 x 250 x 40	500	400	1365

Powder Coated White

SURFACE TEMPERATURE RANGE:
STANDARD 70°C

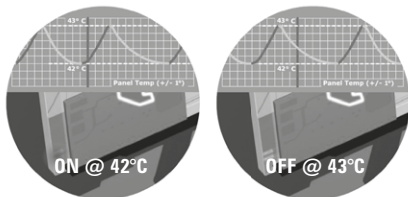


21.1	ECO 2000D/IP44/PC/RZ/43	2000 x 500 x 40	1000	590	2013
21.2	ECO 1500D/IP44/PC/RZ/43	1500 x 500 x 40	1000	443	1511
21.3	ECO 1000D/IP44/PC/RZ/43	1000 x 500 x 40	500	295	1006
21.4	ECO 750D/IP44/PC/RZ/43	750 x 500 x 40	500	222	757
21.5	ECO 500D/IP44/PC/RZ/43	500 x 500 x 40	250	148	505
21.6	ECO 1000D/SB/IP44/PC/RZ/43	2000 x 250 x 40	250	148	505
21.7	ECO 750D/SB/IP44/PC/RZ/43	1500 x 250 x 40	500	222	757
21.8	ECO 500D/SB/IP44/PC/RZ/43	1000 x 250 x 40	500	295	1006
21.9	ECO 2000DLL/IP44/PC/RX/43	2000 x 1000 x 40	2000	1180	4026
21.10	ECO 2000DL/IP44/PC/RX/43	1500 x 1000 x 40	2000	886	3012

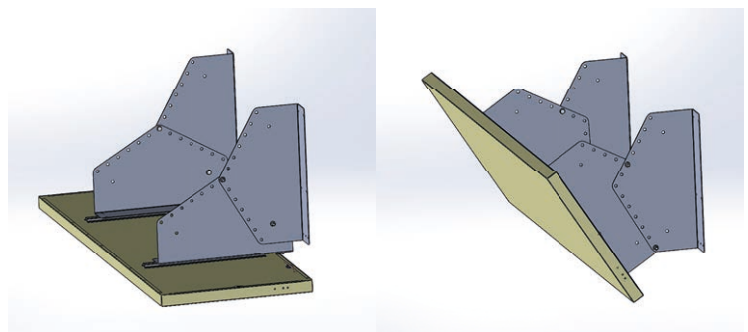
- Selected Powder Coated RAL COLOURS available for additional charge to Line Ref. 20.1 to 21.10

SURFACE TEMPERATURE RANGE: 43°C

**SAFE TO TOUCH AT 43°C AS ADVISED BY THE
HEALTH & SAFETY EXECUTIVE
SUITABLE FOR BATHROOM USE**



**ADJUSTABLE WALL MOUNTED
IN BRACKETS 10° STEPS (PAIR)**



Sharrocks Street, Wolverhampton WV1 3RP

Tel: 01902 457575 Fax: 01902 457797 Email: sales@ecolec.co.uk Website: www.ecolec.co.uk



Hereby, Ecolec Limited, declares that the radio equipment type thermostat and gateway are in compliance with Directive 2014/53/EU. The full text of the EU declaration of conformity is available at the following internet address:
www.ecolec.co.uk/support

© Ecolec © Ecolec 1995-2019. All rights reserved
Ecolec is a registered trademark of Ecolec Limited
All specifications subject to change without notice



Product of the EU.



Proudly Manufactured in the UK.